

SIMONE LINEAR PENDANT



Matte Black
White Linen

CONSTRUCTION:

- Outside laser cut with textured powder coated finish
- Fabric inside shade
- White acrylic bottom diffuser
- (2) 36 in. standard stem kit includes 6 in., 12 in. and 18 in. stems
- Additional stems available, maximum height 12 ft.
- 12 ft. of field adjustable wire included

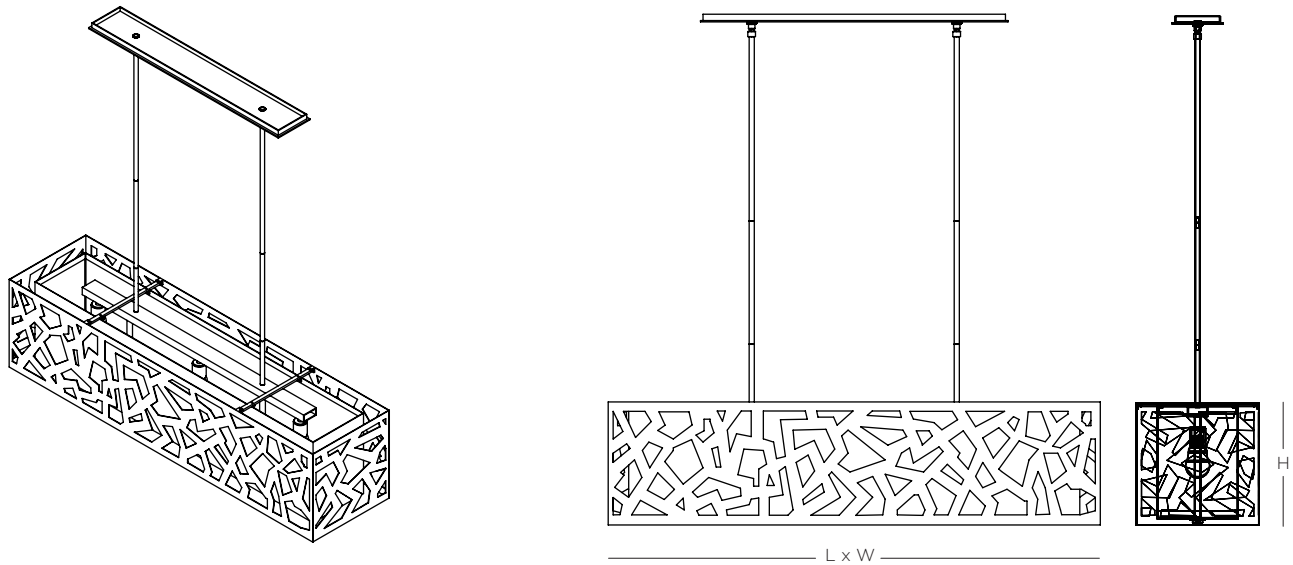
ELECTRICAL:

- 120V medium base sockets

CERTIFICATION:

- cULus Listed

SIMONE LINEAR PENDANT



Specifications			Medium Base
Size	LxW	H	Sockets
04	36" x 9"	9"	3 x 75W max
05	48" x 12"	12"	3 x 100W max

Ordering

Model	Size	Lamping	- Finish	- Fabric
SSIMP	04 = 36" 05 = 48"	MB Medium Base Socket	MB Matte Black Powder Coat MW Matte White Powder Coat MS Warm Metallic Silver Powder Coat CU Copper Powder Coat GD Gold Powder Coat	303 White Linen 304 Black Linen

Example: SSIMP04MB-MB-303

Finish Options



MB
Matte Black
Powder Coat



MW
Matte White
Powder Coat



MS
Warm Metallic
Silver
Powder Coat



CU
Copper
Powder Coat



GD
Gold
Powder Coat

Fabric Options



303
White Linen



304
Black Linen

All specifications and dimensions subject to change without notice.