



LOCATION		DATE
PREPARED BY		QUANTITY
COMMENTS		FIXTURE TYPE
CATALOG NUMBER		

## Unity LED Sconce USS Series

### Features

White glass wall sconce is an energy saving long-lasting alternative to Incandescent. Decorative brushed nickel and oil-rubbed bronze finials included. LED's turn on instantly at full brightness and are cool running. Ideal use in hallways, entrances, restrooms and anywhere general lighting is needed. Provides lighting in residential, commercial, and hospitality applications.

### Construction

Backplate is die formed 22-gauge steel and painted with lighting grade white.

### Finish

All exposed metal decorative finials are brushed nickel or oil-rubbed bronze plated.

### Diffuser

White etched glass is mounted to housing by decorative finials (included).

### Electrical

Input 120VAC/60 Hz. Low voltage LED driver is rated for 12VAC output to the LED light engine. Non-dimmable.

### LED

Integrated LED modules capable of producing:  
10W = 1200 lumens  
3000K (CCT). Rated for 50,000 Hrs., 80 CRI.

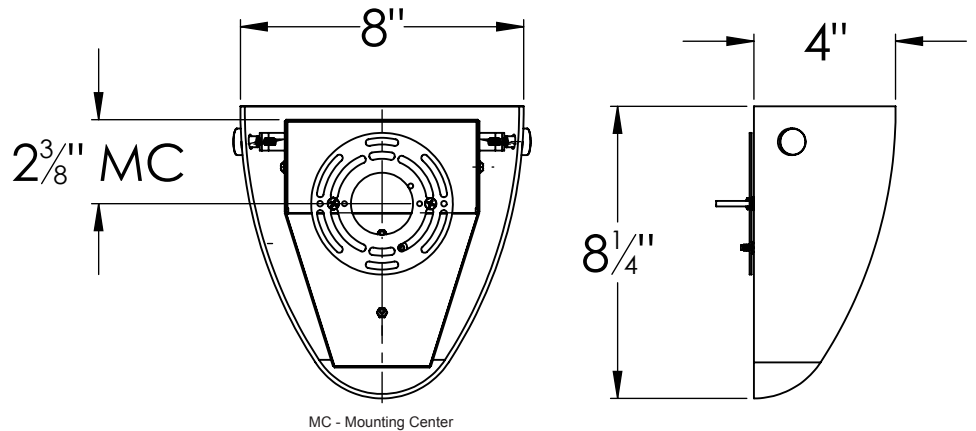
### Certification

cETLus certified for damp locations.  
ADA

### Warranty

Limited warranty: This fixture is free from defects in materials and workmanship for a period of 5 years from date of purchase.

Specifications and dimensions subject to change without notice.



## Ordering Information:

Brushed Nickel	LED	Source Lumens	CCT	H	W	D
USS080812L30ENBN	10W	1200	3000K	8-1/4"	8"	4"