

SIMONE LINEAR PENDANT



CONSTRUCTION:

- Outside laser cut with textured powder coated finish
- Fabric inside shade
- White acrylic bottom diffuser
- (2) 36 in. standard stem kit includes 6 in., 12 in. and 18 in. stems
- Additional stems available, maximum height 12 ft.
- 12 ft. of field adjustable wire included

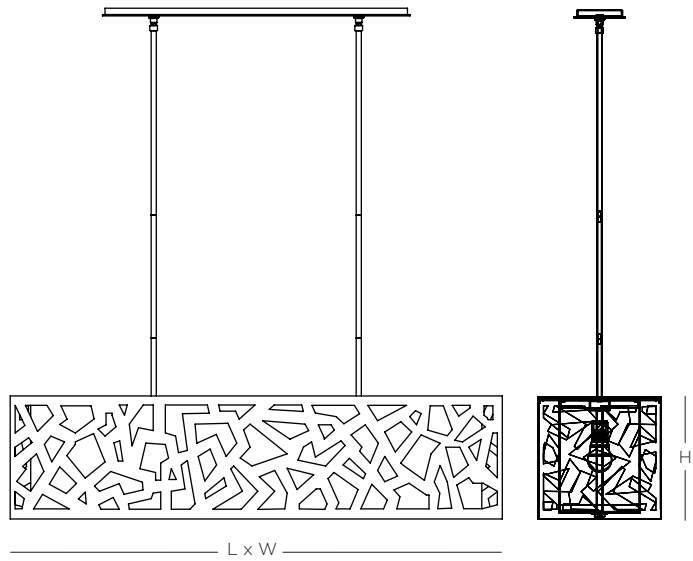
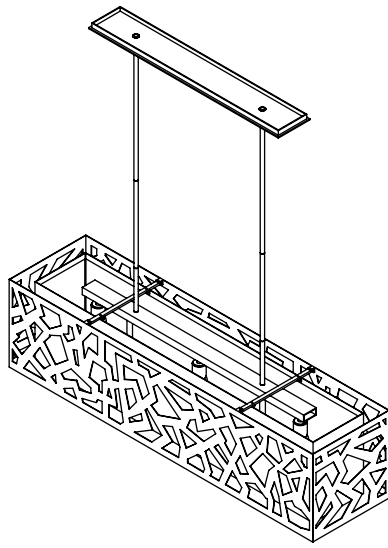
ELECTRICAL:

- 120V medium base sockets

CERTIFICATION:

- cULus Listed

SIMONE LINEAR PENDANT



Specifications

Medium Base

| Size | LxW | H | Sockets |
|------|-----------|-----|--------------|
| 04 | 36" x 9" | 9" | 3 x 75W max |
| 05 | 48" x 12" | 12" | 3 x 100W max |

Ordering

| Model | Size | Lamping | Suggested - Finish | Suggested - Fabric |
|-------|----------------------|-----------------------|-----------------------------|---|
| SSIMP | 04 = 36" 05 = 48" | MB Medium Base Socket | MB Matte Black SV Silver | 202 Aztec Gold Silk Dupioni 208 Pewter Silk Dupioni 303 White Linen |

Example: SSIMP04MB-MB-303

All specifications and dimensions subject to change without notice.