

ASTORIA SEMI-FLUSH



CONSTRUCTION:

- Fabric shade
- White acrylic bottom diffuser with finial
- Decorative laser cut metal ring accents
- 2 In. standard stem kit

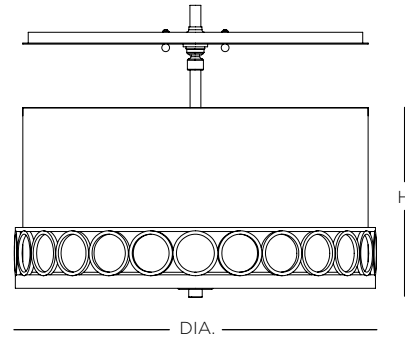
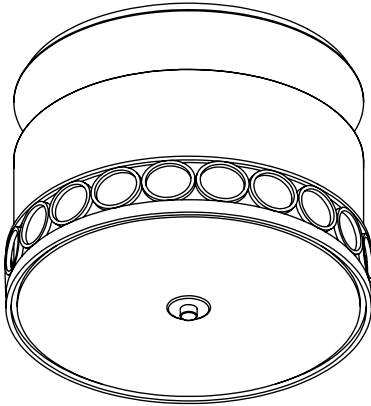
ELECTRICAL:

- 120V medium base sockets
- Integrated LED option (50,000 Hrs., 90 CRI, CCT 3000K)

CERTIFICATION:

- cULus Listed (medium base)
- ETL Listed (LED)

ASTORIA SEMI-FLUSH



Specifications		Medium Base	Integrated LED		
Size	DIA.	H	Sockets	Source Lumens	Wattage
01	16"	8"	2 x 60W max	2400	30W
02	20"	10"	3 x 60W max	3200	44W

Ordering

Model	Size	Lamping	Suggested - Finish	Suggested - Fabric
SATRC	01 = 16"	MB Medium Base Socket L1 LED (120V TRIAC Dimming) L2 LED (120-277V 0-10V Dimming)	PN Polished Nickel	206 Ivory Silk Dupioni
	02 = 20"		RB Hand-Rubbed Bronze	301 Beige Linen 303 White Linen

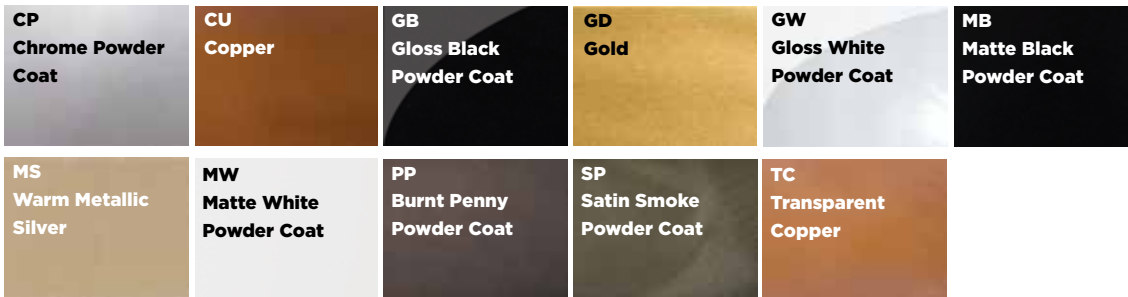
Example: SATRC02L2-PN-301

All specifications and dimensions subject to change without notice.

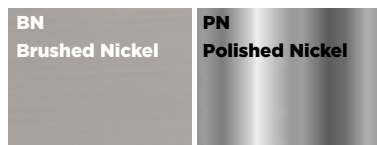
ASTORIA SEMI-FLUSH

FINISHES

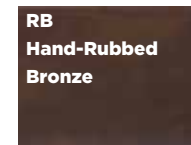
Painted Metal



Plated Metal

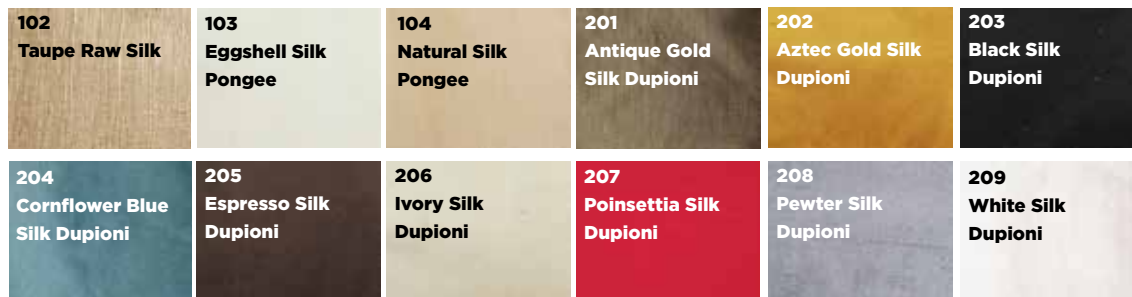


Etched Metal



FABRICS

Silks



Linens



Vern Yip Fabrics



Organza

