

BRENTWOOD SEMI-FLUSH MOUNT



Bottom Pattern



Side Pattern

CONSTRUCTION:

- Fabric shade
- Laser cut metal pattern

ELECTRICAL:

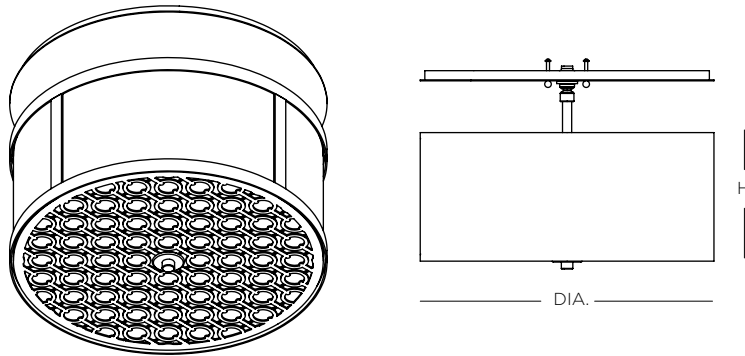
- 120V medium base sockets
- Integrated LED option (50,000 Hrs., 90 CRI, CCT 3000K)

CERTIFICATION:

- cULus Listed (medium base)
- ETL Listed (LED)

BRENTWOOD SEMI-FLUSH MOUNT

Bottom Pattern



Specifications			Medium Base	Integrated LED	
Size	DIA.	H	Sockets	Source Lumens	Wattage
01	14"	6"	1 x 60W max	1400	19W
02	16"	8"	2 x 60W max	2400	30W
03	20"	10"	2 x 75W max	3200	44W

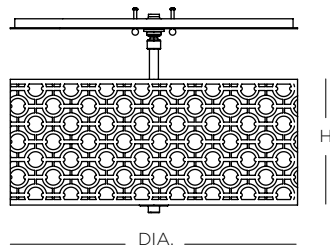
Ordering

Model	Size	Lamping	Suggested - Finish	Suggested - Fabric
SBREC	01 = 14"	MB Medium Base Socket	PC Polished Chrome	203 Black Silk Dupioni
	02 = 16"	L1 LED (120V TRIAC Dimming)	RB Hand-Rubbed Bronze	206 Ivory Silk Dupioni
	03 = 20"	L2 LED (120-277V 0-10V Dimming)		209 White Silk Dupioni

Example: SBREC01L1-PC-203

All specifications and dimensions subject to change without notice.

Side Pattern



Specifications			Medium Base	Integrated LED	
Size	DIA.	H	Sockets	Source Lumens	Wattage
04	14"	6"	2 x 60W max	1400	19W
05	16"	8"	2 x 40W max	2400	30W
06	20"	10"	3 x 75W max	3200	44W

Ordering

Model	Size	Lamping	Suggested - Finish	Suggested - Fabric
SBREC	04 = 14"	MB Medium Base Socket	PC Polished Chrome	203 Black Silk Dupioni
	05 = 16"	L1 LED (120V TRIAC Dimming)	RB Hand-Rubbed Bronze	206 Ivory Silk Dupioni
	06 = 20"	L2 LED (120-277V 0-10V Dimming)		209 White Silk Dupioni

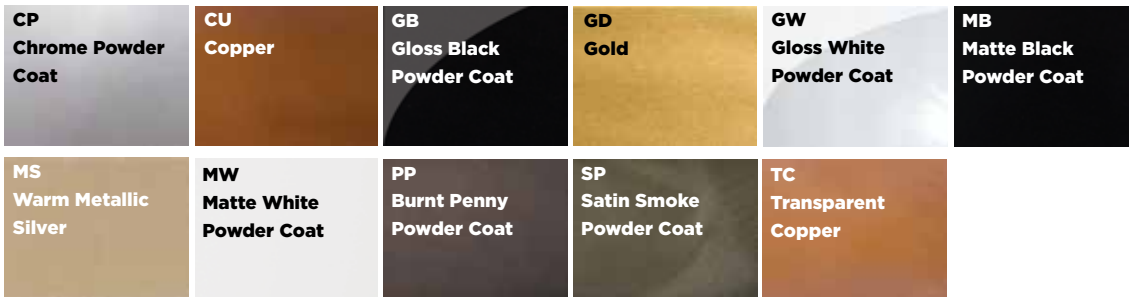
Example: SBREC04MB-PC-206

All specifications and dimensions subject to change without notice.

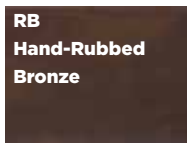
BRENTWOOD SEMI-FLUSH MOUNT

FINISHES

Painted Metal



Etched Metal



FABRICS

Silks



Linens



Vern Yip Fabrics



Organza

