



LOCATION		DATE
PREPARED BY		QUANTITY
COMMENTS		FIXTURE TYPE
CATALOG NUMBER		

## Aeon Linear AEL232/432 Series

### Features

Geometric sloped sided pendant mount fixture is designed for indirect/direct light output for a wide even light distribution and low profile floating effect. It is available in two widths, 16" and 22" and two finishes, satin aluminum or oil-rubbed bronze. Standard suspension includes (2) 12" stems and canopy kit or suffix (CK) with a 45" cable and canopy kit, adjustable from 11-9/16" to 53-9/16" overall height. It can be used in various applications including corridors, kitchens and public spaces. This product offers a lift and shift gravity retention diffuser. Fixture mounts to standard junction box (not included).

### Construction

Channel is die-formed of 22-gauge steel. Standard mounting holes are provided in the canopy back mounting plate. The canopy is 5" wide x 27" long and 1" deep. Decorative frame assembly is .06" extruded aluminum. Power supply connections must be made inside a junction box (not included).

### Finish

Channel is finished in lighting grade white baked gloss enamel paint. Frame assembly consists of extruded satin aluminum or applied oil-rubbed bronze with clear lacquer topcoat.

### Diffuser

Acrylic diffuser is .125" thick gloss white for the satin aluminum frame and linen pattern white acrylic for the oil-rubbed bronze frame.

### Electrical

UL listed instant-start, electronic high power factor ballast; 120-277 Universal 50/60Hz AC (MV suffix).

### Lamping

For use with 2/32 or 4/32 watt T8 linear fluorescent lamps; supplied by others.

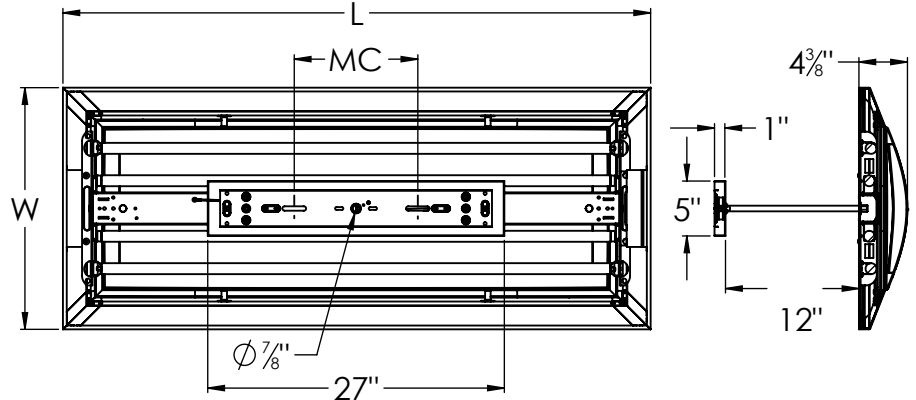
### Certification

All fixtures are cULus listed for damp locations.

### Options (consult factory)

Dimming

Specifications and dimensions  
subject to change without notice.



MC - Mounting Center

## Ordering Information:

Satin Aluminum	Oil-Rubbed Bronze	Qty.	Lamp	H	W	D	MC
AEL232SAMV	AEL232RBMV	2	F32T8	17-3/8"	16"	53-3/8"	11-1/4"
AEL432SAMV	AEL432RBMV	4	F32T8	17-3/8"	22"	53-3/8"	11-1/4"
AEL232SAMV-CK	AEL232RBMV-CK	2	F32T8	ADJ.	16"	53-3/8"	11-1/4"
AEL432SAMV-CK	AEL432RBMV-CK	4	F32T8	ADJ.	22"	53-3/8"	11-1/4"