



LOCATION		DATE
PREPARED BY		QUANTITY
COMMENTS		FIXTURE TYPE
CATALOG NUMBER		

Aria Outdoor Sconce ARW Series

Features

Contemporary and clean styling is offered with this collection of wet location wall sconces. Die-cast aluminum construction includes a frosted white case glass diffuser. Fixture mounts to standard junction box (not included).

Construction

Back plate is die-formed of 20-gauge aluminum. Cup is die-cast of .100" thick aluminum. Standard mounting holes and hardware are included. Power supply connections must be made inside a junction box (not included).

Finish

All metal parts are plated satin nickel or applied oil-rubbed bronze.

Diffuser

Diffuser is .100" thick enclosed hand-blown frosted white case glass. Diffuser mounts to cup with 2 set screws.

Electrical

This unit is wired with UL listed electronic normal power factor socket ballast for 120V/60 Hz AC operation. Minimum starting temperature 0 degree F.

Lamping

For use with 1/13 or 1/18 watt compact fluorescent 4 pin quad lamps; (not included).

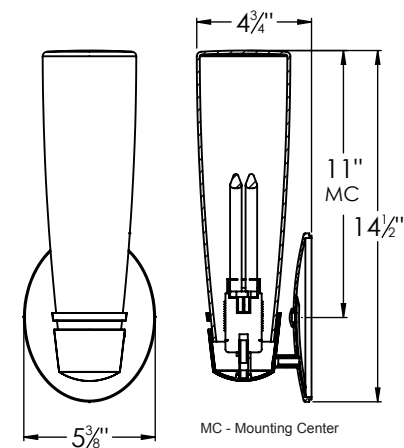
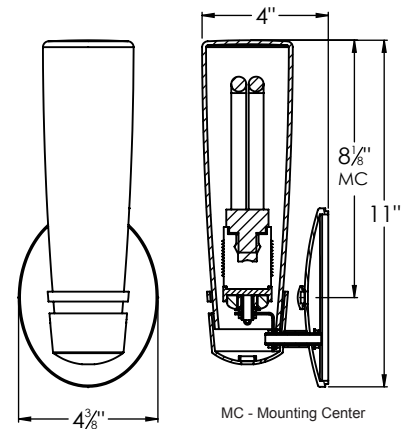
Certification

All fixtures are cULus listed for wet locations. 1/13 watt fixtures are ADA compliant

Warranty

Limited warranty: This fixture is free from defects in materials and workmanship for a period of 2 years from date of purchase.

Specifications and dimensions subject to change without notice.



Ordering Information:

Satin Nickel	Oil-Rubbed Bronze	Qty.	Lamp	H	W	D	MC
ARW113SNEC	ARW113RBEC	1	13W CFQ 4-Pin	11"	4-3/8"	4"	8-1/8"
ARW118SNEC	ARW118RBEC	1	18W CFQ 4-Pin	14-1/2"	5-3/8"	4-3/4"	11"