

DARBY Sconce



CONSTRUCTION:

- Metal frame with copper screen
- Recommended for use with vintage Edison bulb

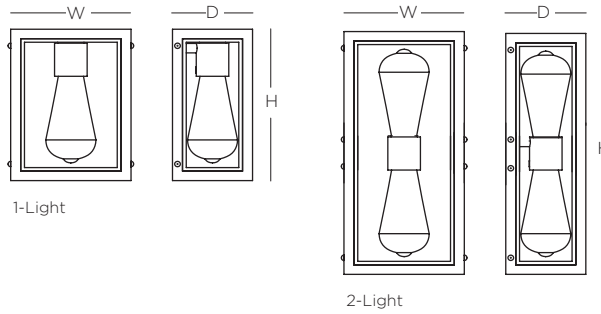
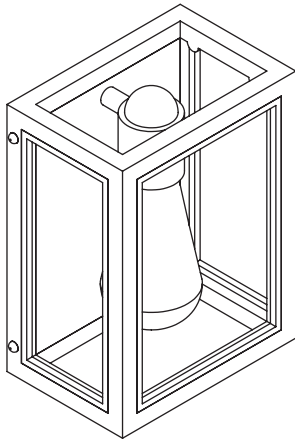
ELECTRICAL:

- 120V medium base sockets

CERTIFICATION:

- cULus Listed

DARBY Sconce



Specifications				Medium Base
Size	H	L	D	Sockets
01	8"	6"	4"	1 x 60W max
02	14"	6"	4"	2 x 60W max

Ordering		Suggested	
Model	Size	Lamping	- Finish
SDARS	01 (1-Light) 02 (2-Light)	MB Medium Base Socket	RB Hand-Rubbed Bronze

Example: SDARS01MB-RB

All specifications and dimensions subject to change without notice.

FINISHES

Painted Metal



Etched Metal

