

PARIS PETAL PENDANT



CONSTRUCTION:

- Fabric shade with metallic liner
- White acrylic bottom diffuser
- Decorative crystal finial
- 36 in. standard stem kit includes 6 in., 12 in. and 18 in. sections for adjustability
- Additional stem sections available, maximum height 12 ft.
- 12 ft. of field adjustable wire included

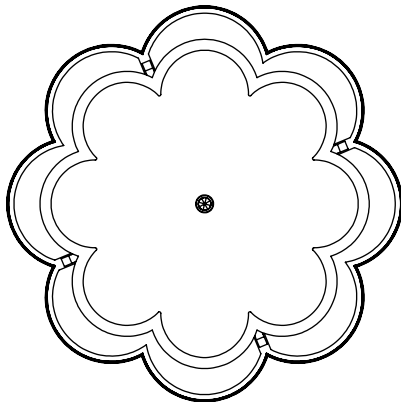
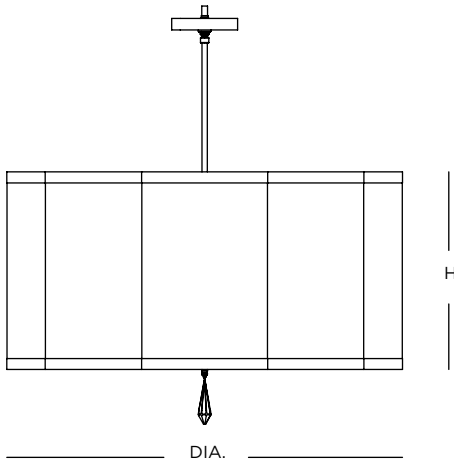
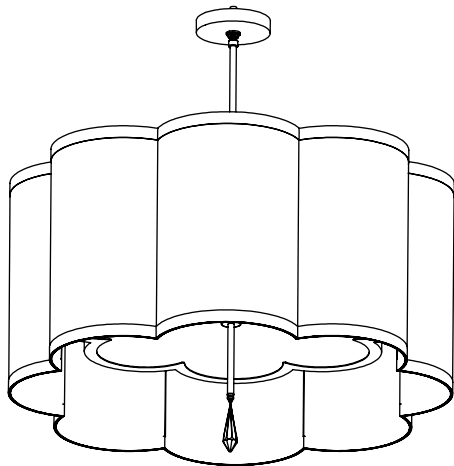
ELECTRICAL:

- 120V medium base sockets
- Integrated LED option (50,000 Hrs., 90 CRI, CCT 3000K)

CERTIFICATION:

- cULus Listed (medium base)
- ETL Listed (LED)

PARIS PETAL PENDANT



Specifications		Medium Base	Integrated LED		
Size	DIA.	H	Sockets	Source Lumens	Wattage
01	24"	12"	3 x 60W max	3200	44W
02	32"	16"	3 x 100W max	4400	55W
03	36"	18"	3 x 100W max	4400	55W

Ordering

Model	Size	Lamping	Suggested - Finish*	Suggested - Fabric*	- Liner
SPRSP	01 = 24" 02 = 32" 03 = 36"	MB Medium Base Socket L1 LED (120V TRIAC Dimming) L2 LED (120-277V 0-10V Dimming)	PB Polished Brass PN Polished Nickel	209 White Silk Dupioni 303 White Linen 304 Black Linen	GD Gold SL Silver

Example: SPRSP01LMB-PN-209-SL

All specifications and dimensions subject to change without notice.

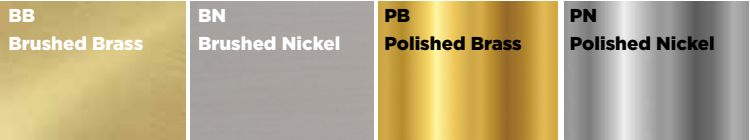
PARIS PETAL PENDANT

FINISHES

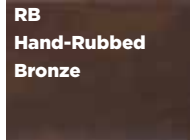
Painted Metal



Plated Metal



Etched Metal



FABRICS

Silks



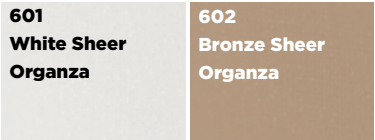
Linens



Vern Yip Fabrics



Organza



Fabric Liner

