

# CLASSIQUE OVAL PENDANT

---



## CONSTRUCTION:

- Fabric shade
- White acrylic bottom diffuser with finial
- 36 in. standard stem kit includes 6 in., 12 in. and 18 in. sections for adjustability
- Additional stem sections available, maximum height 12 ft.
- 12 ft. of field adjustable wire included

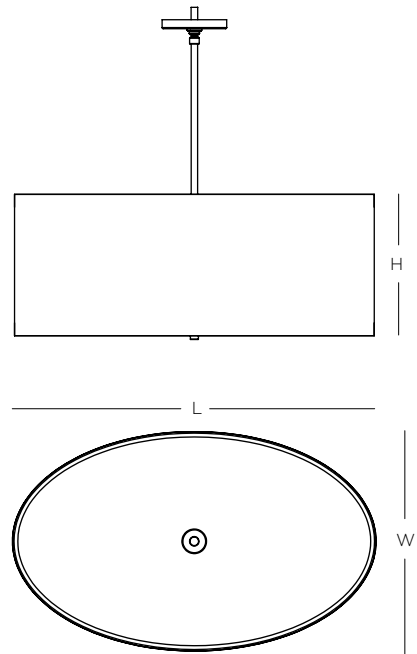
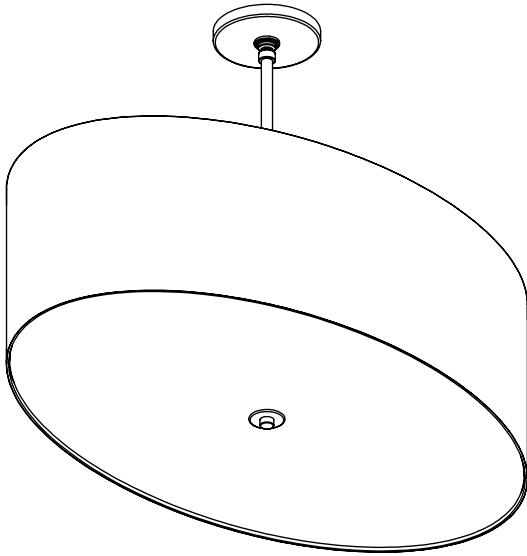
## ELECTRICAL:

- 120V medium base sockets

## CERTIFICATION:

- cULus Listed

# CLASSIQUE OVAL PENDANT



## Specifications

## Medium Base

Size	L x W	H	Sockets
20	20" x 12"	7-1/2"	2 x 75W max
21	24" x 14-1/2"	9"	2 x 75W max
22	28" x 17-1/2"	11"	2 x 100W max
23	34 x 21"	13"	3 x 100W max

## Ordering

Model	Size	Lamping
SCLQP	20 = 20" 21 = 24" 22 = 28" 23 = 34"	MB Medium Base Socket

## Suggested

- Finish*
BN Brushed Nickel
RB Hand-Rubbed Bronze

## Suggested

- Fabric*
206 Ivory Silk Dupioni
302 Oatmeal Linen
303 White Linen

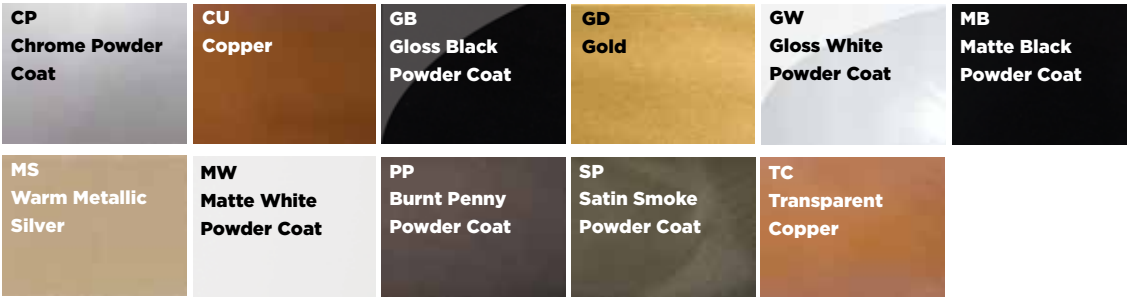
Example: SCLQP21MB-BN-303

All specifications and dimensions subject to change without notice.

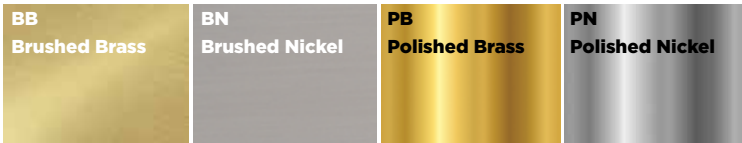
# CLASSIQUE OVAL PENDANT

## FINISHES

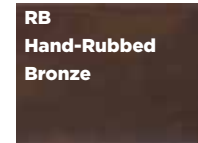
### Painted Metal



### Plated Metal



### Etched Metal



## FABRICS

### Silks



### Linens



### Vern Yip Fabrics



### Organza

