

LED Multi-Pendant Series

Models: 3X Linear; VIP, SSP, SPP

LED Pendant Light

D2 Fixtures

Safety Precautions

- Read all safety precautions and installation instructions carefully before installing or servicing this fixture. Failure to comply with these instructions could result in potentially fatal electric shock and/or property damage.
- It is recommended that a qualified electrician perform all wiring. This fixture must be wired in accordance with all national and local electrical codes.
- Do not handle any energized fixture or attempt to energize any fixture with wet hands or while standing on a wet or damp surface or in water.
- D2 fixtures are designed for use in a 120-277V AC, 60Hz fused circuit and are compatible with 0-10 V dimmers. Make sure that the power source conforms to the requirements of the fixture. (See labels on fixture housing)
- To reduce the risk of electrical shock, and to assure proper operation, this fixture must be adequately grounded. To accomplish proper grounding, there must be a separate ground wire (green) contact between this fixture and the ground connection of your main power supply panel.
- This fixture is intended to be used for general indoor lighting in dry or damp locations.

Disclaimer:

Changes or modifications not expressly approved by the party responsible for compliance could void the user's authority to operate the equipment. NOTE: This equipment has been tested and found to comply with the limits for a Class B digital device, pursuant to Part 15 of the FCC Rules and Canadian ICES-005 (B) / NMB-005 (B). These limits are designed to provide reasonable protection against harmful interference in a residential installation. This equipment generates uses and can radiate radio frequency energy and, if not installed and used in accordance with the instructions, may cause harmful interference to radio communications. However, there is no guarantee that interference will not occur in a particular installation. If this equipment does cause harmful interference to radio or television reception, which can be determined by turning the equipment off and on, the user is encouraged to try to correct the interference by one or more of the following measures:

- Reorient or relocate the receiver antenna.
- Increase the separation between the equipment and receiver.
- Connect the equipment into an outlet on a circuit different from that to which the receiver is connected.
- Consult with the dealer or an experienced radio/TV technician for help.

Any modifications to this fixture may void the warranty and interfere with the safe operation of the luminaire.

Operation is subject to the following two conditions: (1) this device may not cause interference, and (2) this device must accept any interference, including interference that may cause undesired operation of the device.

Assembly Instructions

1. Preparing for installation-

- Disconnect electrical power** before installing or servicing any part of this fixture.
- Remove light fixture, hardware, canopy and parts bag from carton(s).
- Locate center hole of plate (2) over center of junction box. With channel (1) in the desired position, mark the key slot locations on the ceiling for installing drywall anchors or appropriate wood screws where there is a joist. (Anchors & wood screws are not included). Install the anchors and or wood screws leaving a 1/8" gap from the ceiling.
- Assemble plastic cord grippers (7a) to canopy (3), 3 places in the order shown in [Figure 2](#); tether ring, lock washer (5) and jam nut (6) at both ends and ground wire lug, (5) & (6) in center location. *Do not over tighten.*
- Uncoil clear cords of the LED pendant holders (8) and thread the loose ends through strain relief parts (7c) & (7b). Thread cord thru small end of cone shaped part (7c) first, then finished side of (7b) as shown in, [Figure 1 & 2](#).

2. Fixture Assembly & DC Wiring-

- Determine the length of the 3 pendant cords from pendant holders (8) to canopy (3). Feed the clear cords through the previously assembled grippers (7a). Tighten the strain reliefs (7c) with (7b) onto (7a) in the desired positions.
- Double sided adhesive tape (11) is provided to affix the driver (9) to the channel (1). Affix tape to bottom of driver, and driver to inside of channel where there is adequate room to do so, [Figure 1](#).
- Tie a safety loop, "UL knot" where the cord comes into the canopy per [Figure 1](#). Depending on the length, excess cord may be coiled up inside the canopy, or cut and re-stripped.
- Dress the cords across the inside of canopy bringing the ends close to the driver (9). Use clips (4) as needed to contain the cords.
- Connect two pre-stripped wires from each LED pendant holder (8) cord to the driver with two blue wire nuts as follows:
The (+) from (8) lead (with a thin white stripe), to the (+) red wire from driver.
The (-) from (8) lead (plain clear), to the (-) blue wire from driver.

3. Fixture Mounting & AC Wiring-

All 120VAC wiring must take place inside junction box.

Caution: Make sure power is off at fuse or circuit breaker box. Check power wires for damage or scrapes. If power supply wires are within three inches of driver, use wire suitable for at least 90C (194F). **Note:** Most dwellings built before 1985 have supply wire rated to 60C. Consult a qualified electrician before installing.

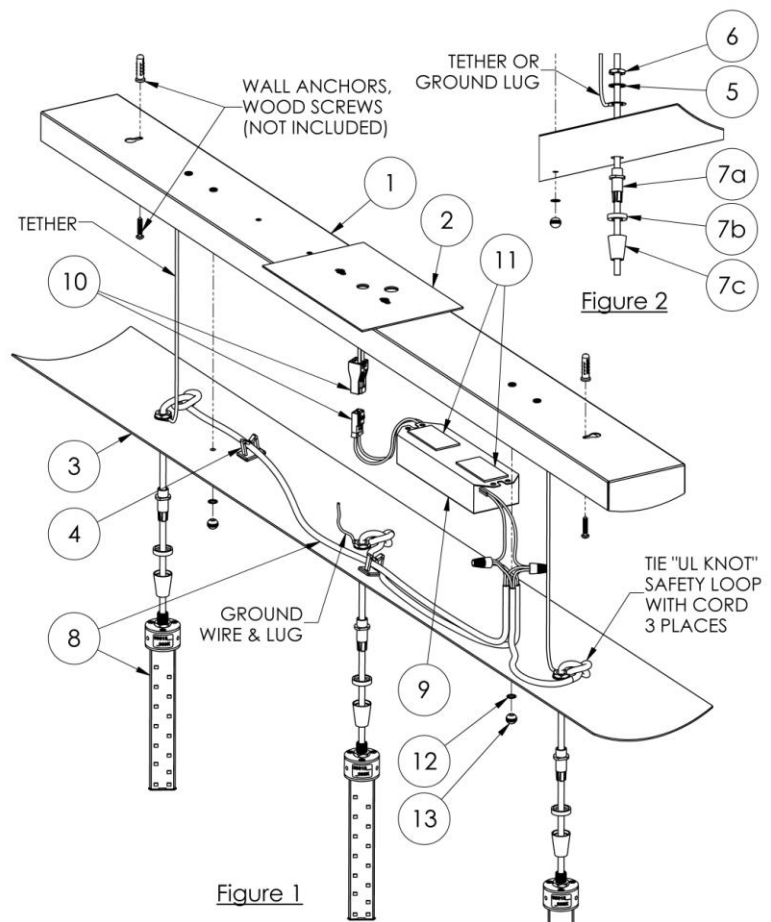


Figure 1

LED Multi-Pendant Series

Models: 3X Linear; VIP, SSP, SPP

LED Pendant Light

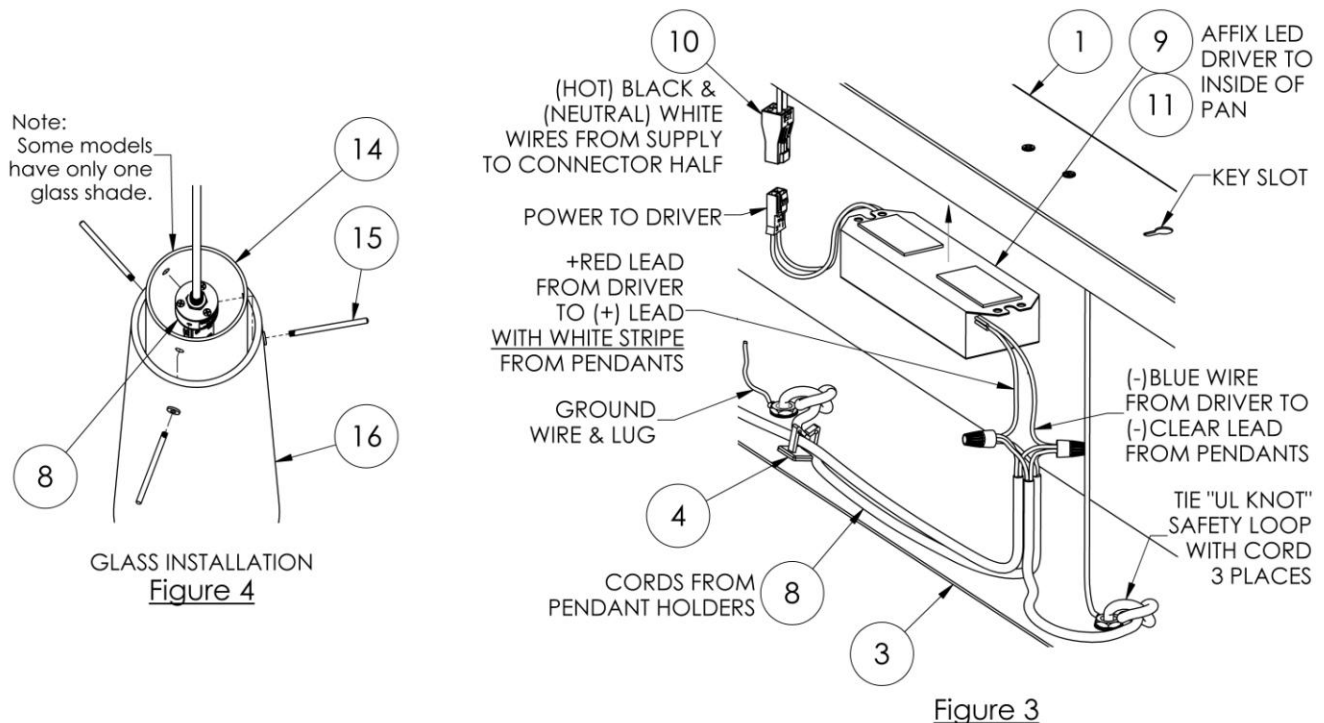
D2 Fixtures

- Mount the channel (1) to the ceiling while bringing the supply wires (hot, neutral & ground) into the fixture through the offset hole in the junction box cover plate (2). Place the large part of the channel key slots over the screws, rotate in place and tighten screws.
- Remove the large end of the power connector (10) from the driver, [Figure 3](#). Attach it to the (+) hot and (-) neutral supply wires accordingly. The connector is color coded; black (1) for (+) and white (2) for (-).
- This unit will not operate properly unless connected to a "grounded" electrical circuit. Electrical shock, overheating, low or no light output, and shortened lamp life can result if proper grounding is not done.* Securely attach green (or green and yellow) wire from supply to green ground wire on canopy (1) with a wire nut.
- Plug the driver connector side into the power source side.
- Assemble the canopy to the channel. Place two small holes in the canopy (3) onto two screws from channel (1). Tuck in the tethers and any wires that may be protruding from the channel around the top of the canopy.
- Secure canopy with two finial nuts (13) & washers (12) onto the channel screws, [Figure 1](#).
- To make any final adjustment to the pendant length, loosen (7c) of the strain relief. Raise pendant light to desired height pushing excess wire into the canopy, or lower pendant by bringing more wire out of the canopy. (Keep in mind there are safety loops which will limit the amount they can be lowered).

4. Glass Shade Mounting-

- Three threaded pins (15) hold the inner and outer glass to the pendant holder. Per [Figure 4](#), insert pins, threaded end first, into the holes in the side of outer glass (16) and then through the holes on the inner glass (14).
- Position the glass with pins carefully over the pendant holder (8). Thread 3 pins (15) into the tapped holes on the pendant holder so they are securely in place.
- Check that the pendant is hanging straight. Make any minor adjustments as needed.

5. Restore power at the fuse or breaker box.



Limited Factory Warranty

AFX Inc. hereby warrants that this fixture is free from defects in materials and workmanship when installed and used under normal operating conditions for a period of 5 years from date of shipment from factory. This warranty covers all component parts and extends only to replacement of defective fixture or components; it does not cover failure due to improper installation, misuse, mishandling or damage incurred in transit.