



LOCATION		DATE
PREPARED BY		QUANTITY
COMMENTS		FIXTURE TYPE
CATALOG NUMBER		

Campton LED Outdoor Sconce CAMW Series

Features

Aluminum housing with clear water glass diffuser. Dusk-to-Dawn Photocell turns light on at night and off in the morning. Provides lighting in residential, commercial and hospitality applications. Fixture mounts to standard junction box (not included).

Construction

Back plate is die-formed of 22-gauge steel. Standard mounting holes and hardware are included. Power supply connections must be made inside a junction box (not included).

Finish

Black powder coat finish.

Diffuser

Clear water glass diffuser.

Electrical

Input 120 VAC 60 HZ .09A with integrated photocell.

Lamping

ST-19 LED 5W (60W equivalent) Vintage lamp included. 2700K CCT.

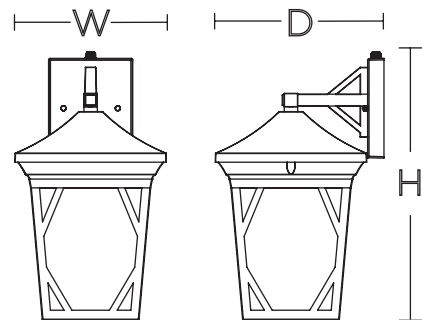
Certification

cETLus listed for wet locations.

Warranty

Limited warranty: This fixture is free from defects in materials and workmanship for a period of 5 years from date of purchase.

**Specifications and dimensions
subject to change without notice.**



Ordering Information:

Black	Qty.	Lamp	H	W	D
CAMW0814MBK	1	5W	13-3/4"	8"	8-3/4"