



LOCATION		DATE
PREPARED BY		QUANTITY
COMMENTS		FIXTURE TYPE
CATALOG NUMBER		

Montrose LED Sconce MNS Series

Features

Transitional style torch fixture with a cream linen shade. Ideal use in hallways, entrances or anywhere general lighting is needed. Provides lighting in residential, commercial and hospitality applications. Meets ADA requirements. Fixture mounts standard to junction box (not included).



Construction

Canopy and socket cup are die-formed of 22-gauge steel. The tapered torch-style arm is 22-gauge and is affixed to a decorative canopy. Standard mounting holes and hardware are included. Power supply connections must be made inside a junction box (not included).

Finish

All metal parts are satin nickel with polished accents or oil-rubbed bronze finish with a clear lacquer topcoat.

Diffuser

Single open back off white linen shade is held in place with wire form and retaining nut.

Electrical

Input 120 VAC, 60 HZ.
Compatible with residential (TRIAC/ELV) dimming.

LED

Fixture includes LED modules capable of producing:
7W = 500 source lumens, 350 delivered lumens (single)
14W = 1000 source lumens, 740 delivered lumens (double)
Adjustable Choice 3000K, 3500K, 4000K (CCT).
Rated for 50,000 Hrs. 90 CRI.

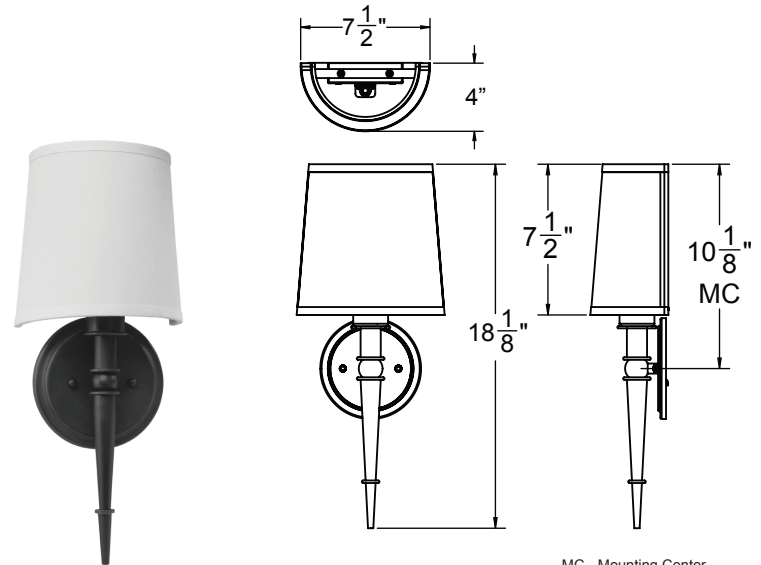
Certification

All fixtures are cULus listed for damp locations.
ADA

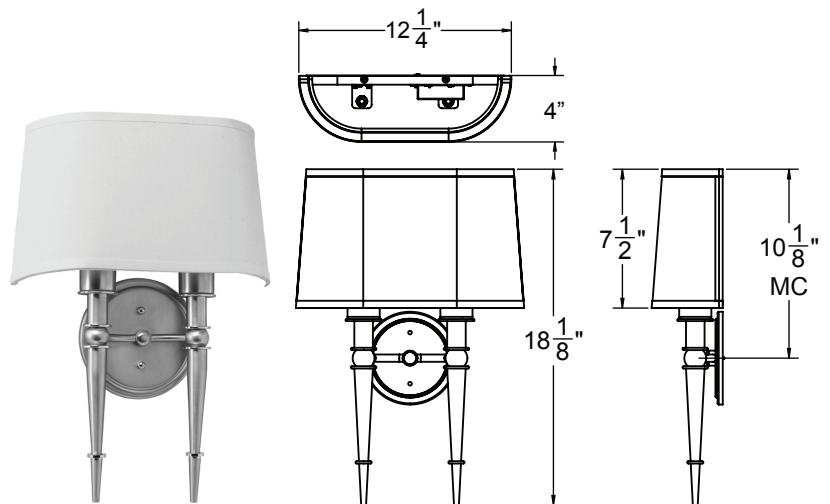
Warranty

Limited warranty: This fixture is free from defects in materials and workmanship for a period of 5 years from date of purchase.

Specifications and dimensions
subject to change without notice.



MC - Mounting Center



MC - Mounting Center

Ordering Information:

Single Arm			Source Lumens	Delivered Lumens	Adjustable CCT	H	W	D	
Satin Nickel	Oil-Rubbed Bronze	LED	7W	500	350	3000K/3500K/4000K	18-1/8"	7-1/2"	4"
MNS081805LAJD1SN	MNS081805LAJD1RB								

Double Arm			Source Lumens	Delivered Lumens	Adjustable CCT	H	W	D	
Satin Nickel	Oil-Rubbed Bronze	LED	14W	1000	1000	3000K/3500K/4000K	18-1/8"	12-1/2"	4"
MNS131810LAJD1SN	MNS131810LAJD1RB								