

ASTORIA SEMI-FLUSH



CONSTRUCTION:

- Fabric shade
- White acrylic bottom diffuser with finial
- Decorative laser cut metal ring accents
- 2 In. standard stem kit

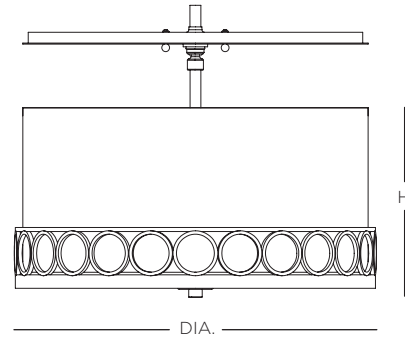
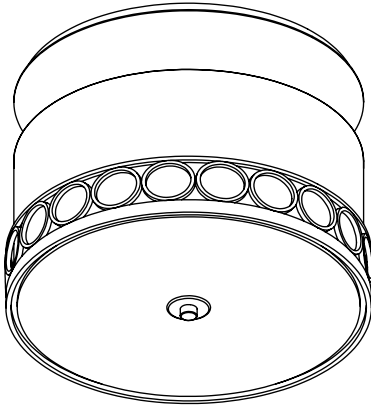
ELECTRICAL:

- 120V medium base sockets
- Integrated LED option (50,000 Hrs., 90 CRI, CCT 3000K)

CERTIFICATION:

- cULus Listed (medium base)
- ETL Listed (LED)

ASTORIA SEMI-FLUSH



Specifications		Medium Base	Integrated LED		
Size	DIA.	H	Sockets	Source Lumens	Wattage
01	16"	8"	2 x 60W max	2400	30W
02	20"	10"	3 x 60W max	3200	44W

Ordering

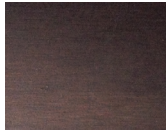
Model	Size	Lamping	- Finish	- Fabric
SATRC	01 = 16" 02 = 20"	MB Medium Base Socket L1 LED (120V TRIAC Dimming) L2 LED (120-277V 0-10V Dimming)	PN Polished Nickel RB Hand-Rubbed Bronze	301 Beige Linen 303 White Linen

Example: SATRC02L2-PN-301

Finish Options



PN
Polished Nickel



RB
Hand-Rubbed Bronze

Fabric Options



301
Beige Linen



303
White Linen

All specifications and dimensions subject to change without notice.