

# CASCADE OVAL PENDANT

---



## CONSTRUCTION:

- Fabric shade
- Standard without trim, frame shadow can create a trimmed appearance when lit
- White acrylic bottom diffuser with center finial
- 36 in. standard stem kit includes 6 in., 12 in. and 18 in. sections for adjustability
- Additional stem sections available, maximum height 12 ft.
- 12 ft. of field adjustable wire included

## ELECTRICAL:

- 120V medium base sockets

## CERTIFICATION:

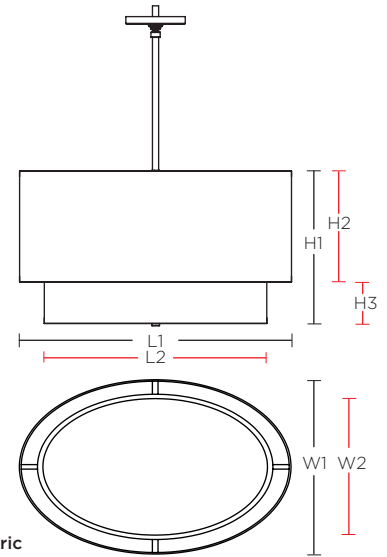
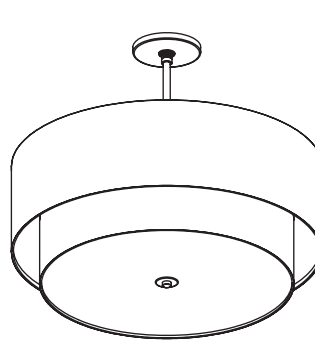
- cULus Listed

# CASCADE OVAL PENDANT

## Double Tier

### Specifications

| Size | L1  | L2  | W1  | W2  | H1  | H2  | H3 | Medium Base | Sockets     |
|------|-----|-----|-----|-----|-----|-----|----|-------------|-------------|
| 12   | 22" | 18" | 16" | 12" | 16" | 12" | 4" |             | 3x 100W max |
| 13   | 26" | 22" | 20" | 16" | 20" | 16" | 4" |             | 3x 100W max |
| 14   | 30" | 26" | 24" | 20" | 22" | 18" | 4" |             | 3x 100W max |



### Ordering Double Tier

| Model | Size                 | Lamping        | - Finish              | - Top Fabric           | - Bottom Fabric        |
|-------|----------------------|----------------|-----------------------|------------------------|------------------------|
| SCASP | 12 = 22" Double Tier | MB Medium Base | BN Brushed Nickel     | 203 Black Silk Dupioni | 203 Black Silk Dupioni |
|       | 13 = 26" Double Tier | Socket         | RB Hand-Rubbed Bronze | 206 Ivory Silk Dupioni | 206 Ivory Silk Dupioni |
|       | 14 = 30" Double Tier |                |                       | 209 White Silk Dupioni | 209 White Silk Dupioni |

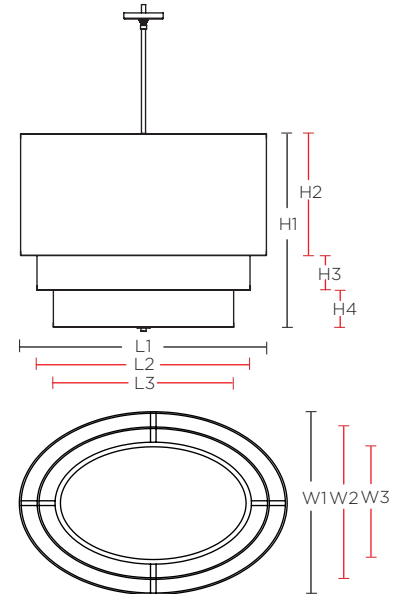
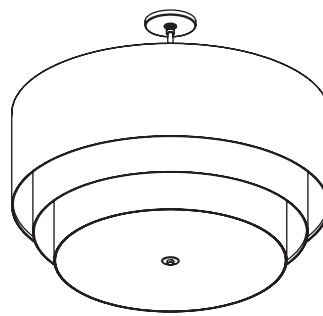
Example: SCASP12MB-BN-203-206

All specifications and dimensions subject to change without notice.

## Triple Tier

### Specifications

| Size | L1  | L2  | L3  | W1  | W2  | W3  | H1  | H2  | H3 | H4 | Medium Base | Sockets      |
|------|-----|-----|-----|-----|-----|-----|-----|-----|----|----|-------------|--------------|
| 15   | 26" | 22" | 18" | 20" | 16" | 12" | 18" | 14" | 4" | 4" |             | 3 x 100W max |
| 16   | 30" | 26" | 22" | 24" | 20" | 16" | 22" | 18" | 4" | 4" |             | 3 x 100W max |



### Ordering Triple Tier

| Model | Size                 | Lamping        | - Finish              | - Top Fabric           | - Center Fabric        | - Bottom Fabric        |
|-------|----------------------|----------------|-----------------------|------------------------|------------------------|------------------------|
| SCASP | 15 = 26" Triple Tier | MB Medium Base | BN Brushed Nickel     | 203 Black Silk Dupioni | 203 Black Silk Dupioni | 203 Black Silk Dupioni |
|       | 16 = 30" Triple Tier | Socket         | RB Hand-Rubbed Bronze | 206 Ivory Silk Dupioni | 206 Ivory Silk Dupioni | 206 Ivory Silk Dupioni |
|       |                      |                |                       | 209 White Silk Dupioni | 209 White Silk Dupioni | 209 White Silk Dupioni |

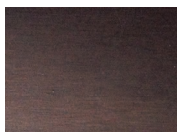
Example: SCASP15MB-BN-203-206-209

All specifications and dimensions subject to change without notice.

### Finish Options

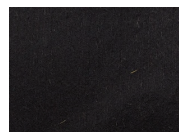


BN  
Brushed Nickel



RB  
Hand-Rubbed Bronze

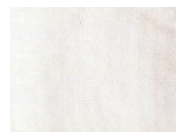
### Fabric Options



203  
Black Silk  
Dupioni



206  
Ivory Silk  
Dupioni



209  
White Silk  
Dupioni