

# CASCADE ROUND PENDANT

---



## CONSTRUCTION:

- Fabric shade
- Standard without trim, frame shadow can create a trimmed appearance when lit
- White acrylic bottom diffuser with center finial
- 36 in. standard stem kit includes 6 in., 12 in. and 18 in. sections for adjustability
- Additional stem sections available, maximum height 12 ft.
- 12 ft. of field adjustable wire included

## ELECTRICAL:

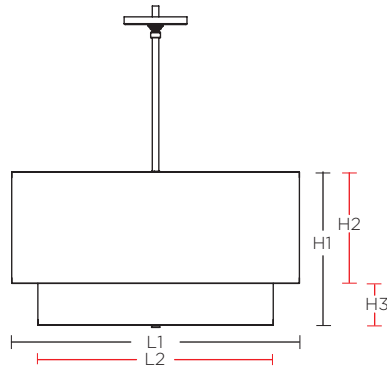
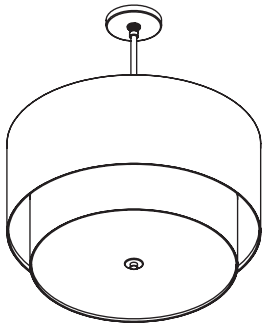
- 120V medium base sockets

## CERTIFICATION:

- cULus Listed

# CASCADE ROUND PENDANT

## Double Tier



### Double Tier Specifications

### Medium Base

Size	D1	D2	H1	H2	H3	Sockets
07	20"	16"	12"	9"	3"	3 x 100W max
08	24"	20"	16"	12"	4"	3 x 100W max
09	32"	28"	20"	16"	4"	3 x 100W max

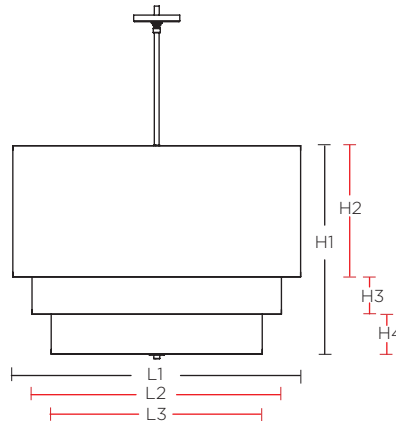
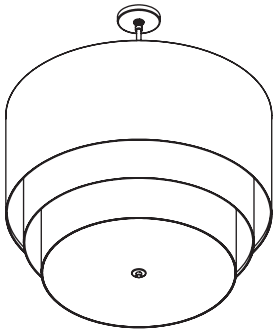
### Ordering Double Tier

Model	Size	Lamping	- Finish	- Top Fabric	- Bottom Fabric
SCASP	07 = 20" Double Tier	MB Medium Base	BN Brushed Nickel	203 Black Silk Dupioni	203 Black Silk Dupioni
	08 = 24" Double Tier	Socket	RB Hand-Rubbed Bronze	206 Ivory Silk Dupioni	206 Ivory Silk Dupioni
	09 = 32" Double Tier			209 White Silk Dupioni	209 White Silk Dupioni

Example: SCASP07MB-BN-203-206

All specifications and dimensions subject to change without notice.

## Triple Tier



### Triple Tier Specifications

### Medium Base

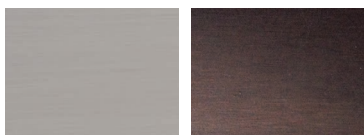
Size	D1	D2	D3	H1	H2	H3	H4	Sockets
10	24"	20"	16"	20"	12"	4"	4"	3x 100W max
11	32"	28"	24"	16"	4"	4"	4"	3x 100W max

### Ordering Triple Tier

Model	Size	Lamping	- Finish	- Top Fabric	- Center Fabric	- Bottom Fabric
SCASP	10 = 24" Triple Tier	MB Medium Base	BN Brushed Nickel	203 Black Silk Dupioni	203 Black Silk Dupioni	203 Black Silk Dupioni
	11 = 32" Triple Tier	Socket	RB Hand-Rubbed Bronze	206 Ivory Silk Dupioni	206 Ivory Silk Dupioni	206 Ivory Silk Dupioni
				209 White Silk Dupioni	209 White Silk Dupioni	209 White Silk Dupioni

Example: SCASP10MB-BN-203-206-209

### Finish Options



BN Brushed Nickel  
RB Hand-Rubbed Bronze

### Fabric Options



203 Black Silk Dupioni  
206 Ivory Silk Dupioni  
209 White Silk Dupioni