

# TEMPEST PENDANT

---



Brushed Stainless  
Transparent Copper

## CONSTRUCTION:

- Decorative cut metal shade with internal decorative bulb cluster
- 36 in. standard stem kit includes 6 in., 12 in. and 18 in. sections for adjustability
- Additional stem sections available, maximum height 12 ft.
- 12 ft. of field adjustable wire included
- Recommended for use with vintage Edison bulb

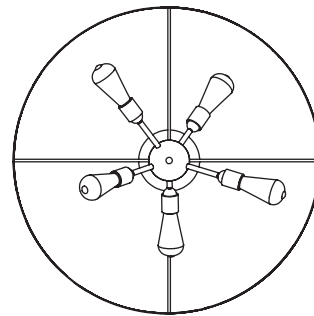
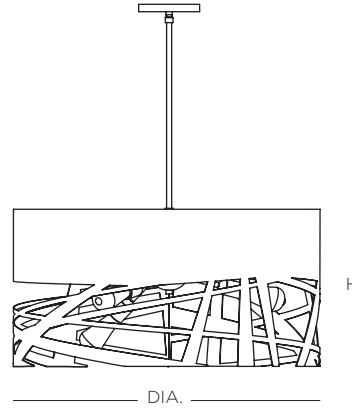
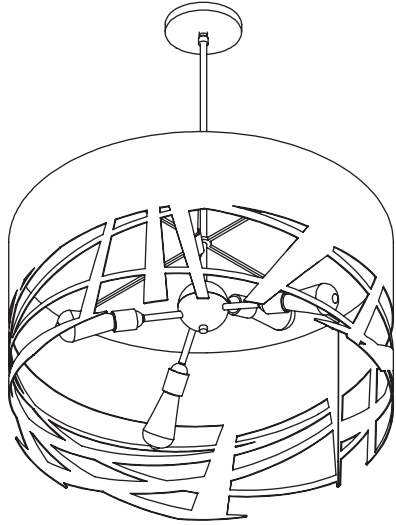
## ELECTRICAL:

- 120V medium base sockets

## CERTIFICATION:

- cULus Listed

# TEMPEST PENDANT



Specifications			Medium Base
Size	DIA.	H	Sockets
01	24"	13"	3 x 60W max
02	30"	16"	5 x 100W max
03	36"	19"	5 x 100W max

## Ordering

Model	Size	Lamping	- Outer Finish	- Inner Finish
STEMP	01 = 24"	MB Medium Base Socket	MB Matte Black Powder Coat	GD Gold Powder Coat
	02 = 30"		BS Brushed Stainless	TC Transparent Copper Powder Coat
	03 = 36"		MW Matte White Powder Coat	MW Matte White Powder Coat

Example: STEMP01MB-MB-GD

## Outer Finish Options



MB  
Matte Black  
Powder Coat



BS  
Brushed Stainless



MW  
Matte White  
Powder Coat

## Inner Finish Options



GD  
Gold  
Powder Coat



TC  
Transparent Copper  
Powder Coat



MW  
Matte White  
Powder Coat

All specifications and dimensions subject to change without notice.