

Outdoor Flood Light

Model: 326912 & 326930 (TPDW70050LBK/TPDW110050LBK)

LED Flood Light

120VAC / 60Hz

Safety Precautions

Read all safety precautions and installation instructions carefully before installing or servicing this fixture. Failure to comply with these instructions could result in potentially fatal electric shock and/or property damage.

It is recommended that a qualified electrician perform all wiring. This fixture must be wired in accordance with all national and local electrical codes.

Do not handle any energized fixture or attempt to energize any fixture with wet hands or while standing on a wet or damp surface or in water.

This fixture is designed for use in a 110-120VAC, 60Hz fused circuit. Do not use on a dimming circuit.

To reduce the risk of electrical shock, and to assure proper operation, this fixture must be adequately grounded. To accomplish proper grounding, there must be a separate ground wire (green) contact between this fixture and the ground connection of your main power supply panel.

This fixture is intended to be used for general outdoor lighting in wet locations.

ASSEMBLY INSTRUCTIONS

1. Preparing for installation

A. **Disconnect electrical power** at fuse or circuit breaker box before installing or servicing any part of this fixture.

B. Carefully remove the fixture from the carton.

2. Wiring-all wiring must take place inside junction box (not included)

Caution: Make sure power is off at fuse or circuit breaker box. Check power wires for damage or scrapes. If power supply wires are within three inches of the ballast power supply, use wire suitable for at least 90C (194F). **Note:** Most dwellings built before 1985 have supply wire rated to 60C. Consult a Microsoft Word qualified electrician before installing.

A. Secure fixture arm (3) on the threaded cover (4) (not supplied) with locknut (5) (supplied).

B. Make all wire connections to appropriate wire. Secure with wire nuts (included).

C. Connect the green wire from the fixture to the power source green wire.

D. The black wire from the fixture is connected to the black wire from power source.

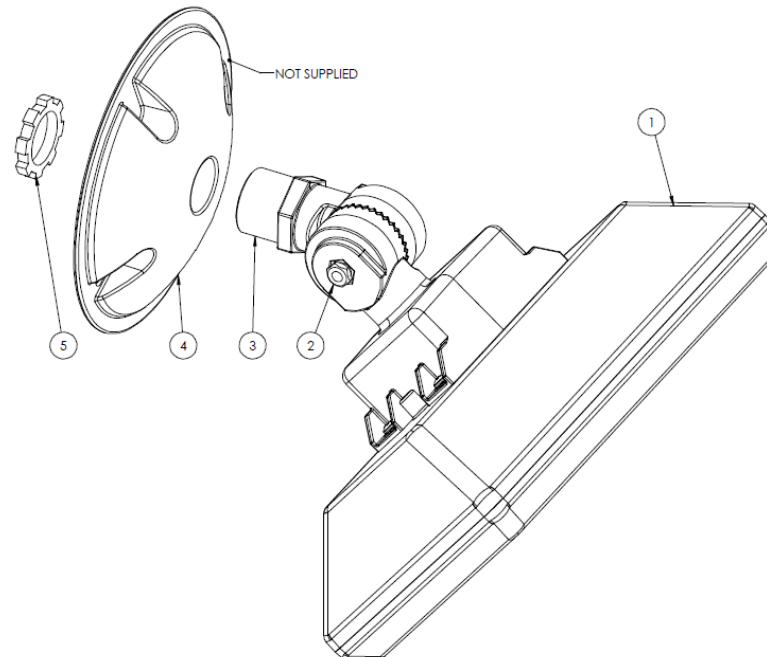
E. The white wire from the fixture is connected to the white (neutral) wire from power source.

F. Tuck all connections neatly into junction box.
G. Secure threaded cover (4) on the junction box with two screws (not supplied).

5. Positioning Fixture with the Swivel/Arm Assembly

A. Loosen the nut (2) on the swivel arm assembly base. Adjust the correct fixture aiming angle position by rotating it upward or downward. Tighten the nut (2).

6. Restore power at fuse or circuit breaker box.



Limited Factory Warranty

AFX Lighting, Inc. warrants this fixture is free from defects in materials and workmanship when installed and used under normal operating conditions for a period of 3 years from date of purchase. This warranty covers all component parts and extends only to replacement of defective fixture or components; it does not cover failure due to improper installation, misuse, mishandling or damage incurred in transit.