

Safety Precautions

Read all safety precautions and installation instructions carefully before installing or servicing this fixture. Failure to comply with these instructions could result in potentially fatal electric shock and/or property damage.

It is recommended that a qualified electrician perform all wiring. This fixture must be wired in accordance with all national and local electrical codes.

Do not handle any energized fixture or attempt to energize any fixture with wet hands or while standing on a wet or damp surface or in water.

Make sure that the power source conforms to the requirements of the fixture (see labels on fixture housing).

To reduce the risk of electrical shock, and to assure proper operation, this fixture must be adequately grounded. To accomplish proper grounding, there must be a separate ground wire (green) or bare metal contact (metal conduit) between this fixture and the ground connection of your main power supply panel. The green ground screw location is clearly marked on the fixture housing.

This fixture is intended for use for general indoor lighting in dry or damp locations only.

Assembly Instructions

1. Preparing for installation

- A. **Disconnect electrical power** before installing or servicing any part of this fixture.
- B. Remove fixture from carton; set ceiling pan (1), and diffuser assembly aside. Open hardware bag and remove contents.

2. Wiring

All wiring must take place inside junction box.

Caution: Make sure power is off at fuse or circuit breaker box. Check power wires for damage or scrapes. If power supply wires are within three inches of LED driver; use wire suitable for at least 90C (194F). **Note:** Most dwellings built before 1985 have supply wire rated to 60C. Consult a qualified electrician before installing.

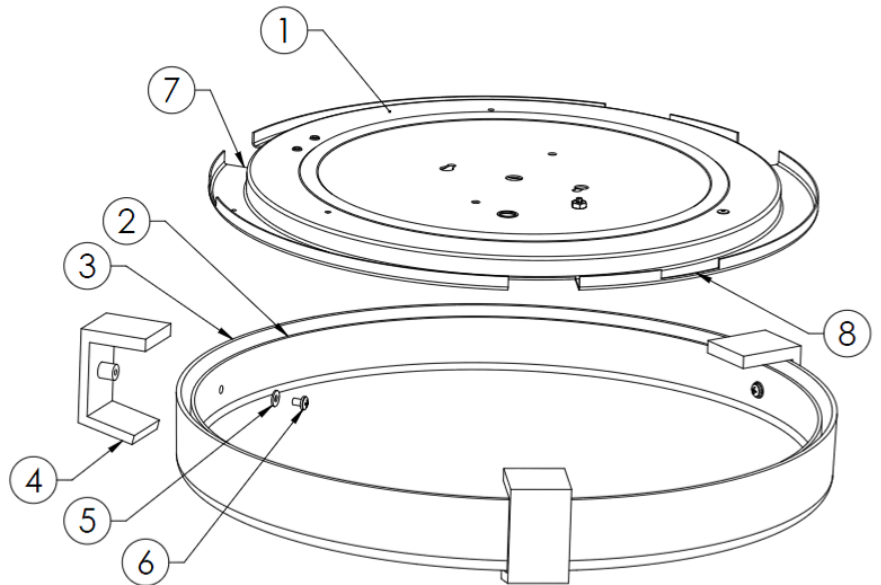
- A. This unit will not operate properly unless connected to a “grounded” electrical circuit. Electrical shock, over heating, low or no light output, and shortened lamp life can result if proper grounding is not done.
- B. Using wire nuts (provided), connect white (common) supply wire to white fixture lead. Connect black (hot) supply wire to black fixture lead. **Do not mix wires.** Pull on each wire lead to make sure connections are secure. Make certain no bare wires are exposed outside of wire connectors. **Note:** fixtures with universal voltage power supplies are pre-wired with a disconnect. Refer to the included guide for using the disconnect.

3. Mounting

- A. Attach ceiling pan to junction box (not provided) through keyhole slots with #8-32 x 1-1/8” screws (provided)

4. Diffuser Installation

- A. Assemble diffuser by placing inner white plastic diffuser (2) into outer clear diffuser (3). Align holes, fit outer brackets (4) thru holes. Attach outer brackets with washers (5) and screws (6)
- B. Mount the diffuser assembly by aligning three brackets with the large slots (7) in ceiling pan. Lift diffuser assembly up and rotate clockwise 30° until diffuser assembly seats into smaller slots (8). Verify all 3 brackets are secured within the slots.
- C. Restore power at fuse or circuit breaker box.



Limited Factory Warranty

AFX Inc. hereby warrants that this fixture is free from defects in materials and workmanship when installed and used under normal operating conditions for a period of 5 years from date of purchase. This warranty covers all component parts and extends only to replacement of defective fixture or components; it does not cover failure due to improper installation, misuse, mishandling or damage incurred in transit.